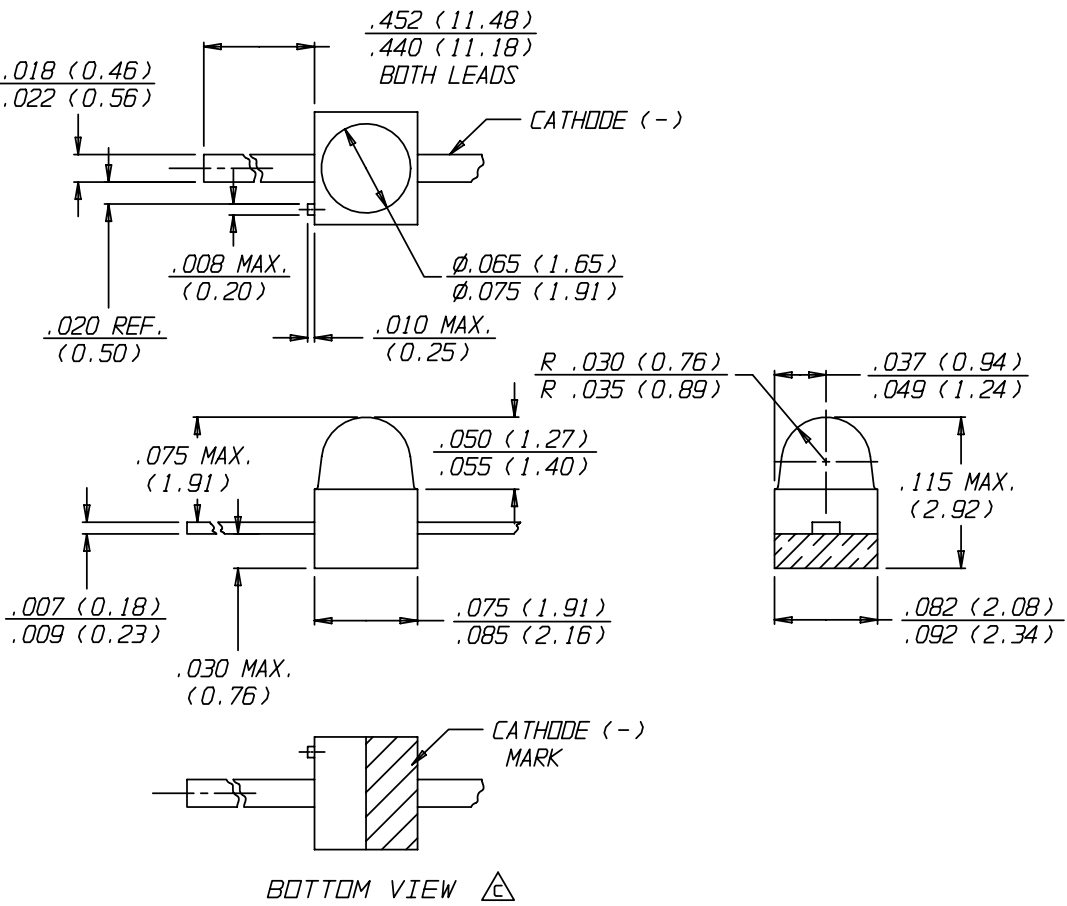


REV	ECR NO.	DATE
A	8732 NEW RELEASE	07/06/93
B	15374 KB CHNG'D TYP. LUM. INT.	11/18/97
C	19695 MP ADDED BOTTOM VIEW	10/9/00



SPECIFICATIONS	OUTPUT COLOR	DIFFUSED-NON DIFFUSED	PACKAGE COLOR	VIEWING ANGLE	MIN. LUM. INTENSITY AT RATED CURRENT	TYP. LUM. INTENSITY AT RATED CURRENT	RATED CURRENT	FORWARD VOLTAGE-TYP.	FORWARD VOLTAGE-MAX	CONTINUOUS FORWARD CURRENT-MAX.	PEAK FORWARD CURRENT AT 1 Ms-300PPS	REVERSE BREAKDOWN VOLTAGE MIN.	PEAK WAVE LENGTH	DISSIPATION MAX. AT 25°C	DERATE LINEARLY FROM 25°C	CAPACITANCE AT V = 0
	MODEL No.			DEG	mcd	mcd	mA	V	V	mA	A	V	nm	mW	mA	PF
4300T1LC TR	R	D	R	90	0.4	1.0	2	1.8	2.2	7	.007	5.0	635	24	-	4
4300T5LC TR	G	D	G	90	0.4	0.6	2	1.8	2.2	7	.007	5.0	565	24	-	4
4300T7LC TR	Y	D	Y	90	0.4	0.6	2	1.9	2.7	7	.007	5.0	583	36	-	4




NOTE:
 1. FOR TAPE & REEL SPECIFICATIONS SEE DWG. B11562
 2. ALL DIMENSIONS IN INCHES (mm).

DIST.
 V/S

LED COLOR CODE
D - DIFFUSED
R - RED
G - GREEN
Y - YELLOW

THIS DWG IS THE PROPERTY OF CHICAGO MINIATURE LAMP INC. AND IS PROPRIETARY IN GENERAL AND IN DETAIL. IT SHALL NOT BE COPIED OR ITS CONTENTS REVEALED TO OUTSIDE PARTIES WITHOUT THE WRITTEN CONSENT OF CHICAGO MINIATURE LAMP INC.

DO NOT SCALE

PART NO.	TITLE
MODEL NO.	SPECIFICATION FOR MODEL No. 4300T LC TAPE REEL SERIES
MOLD NO.	
MATERIAL:	 CHICAGO MINIATURE LAMP INC. 147 CENTRAL AVE. HACKENSACK, NJ 07601
FINISH:	
TOLERANCE UNLESS OTHERWISE SPECIFIED:	DRAWN M. MARQUES
FRACTION 1/64	CHECKED
DECIMAL .xx +/- .010 .xxx +/- .010	ENG. APPRV
MILLIMETER .x 3mm .xx 3mm	SCALE: 10 : 1
ANGLE 1/2 deg.	B11549
	REV C